



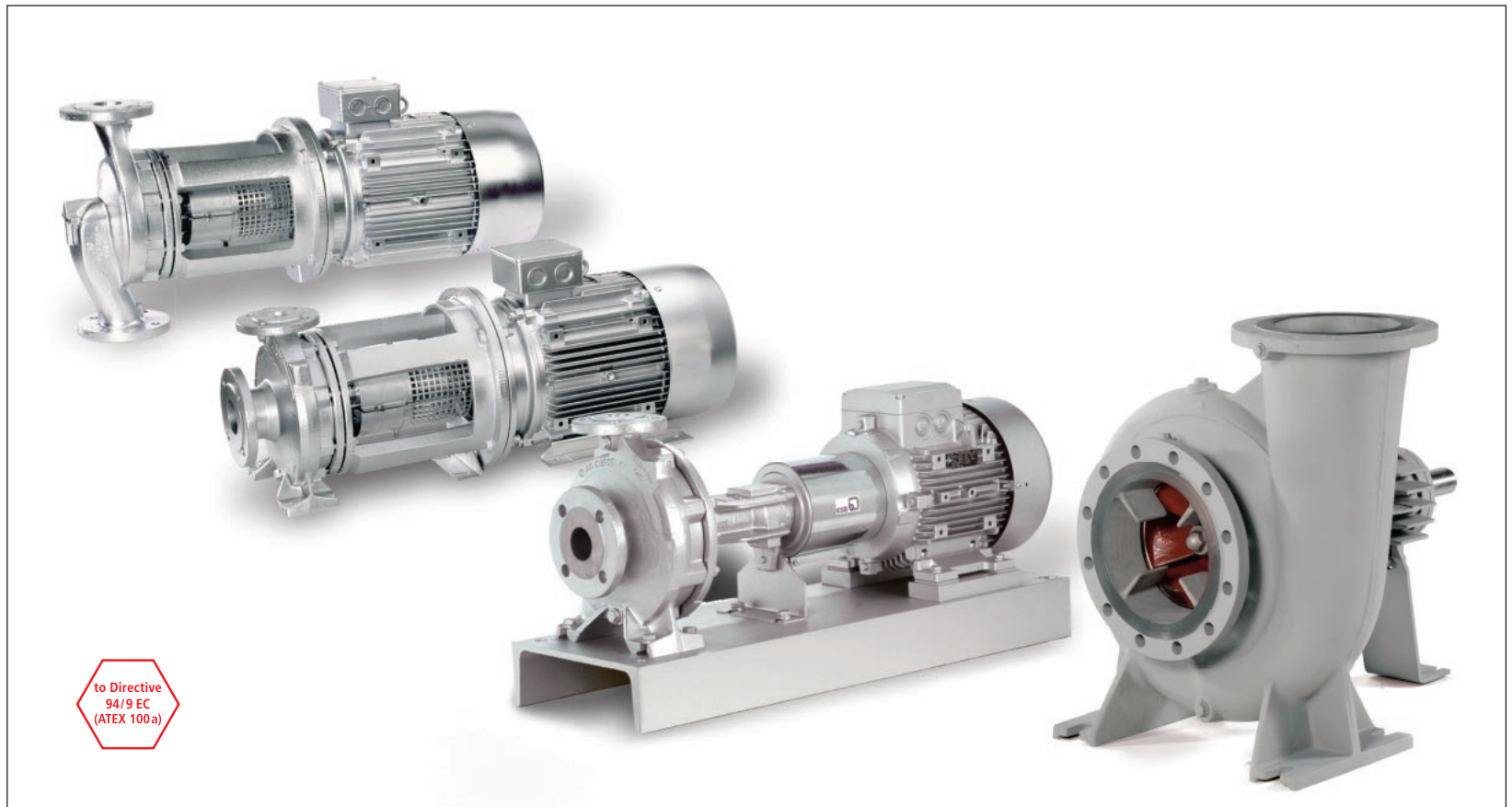
## ETANORM SYA / ETANORM RSY – OUR “HOTTEST” MODELS, NOW AVAILABLE IN XXL

Thermal oil / Hot water pumps

People at KSB – We make your world flow round

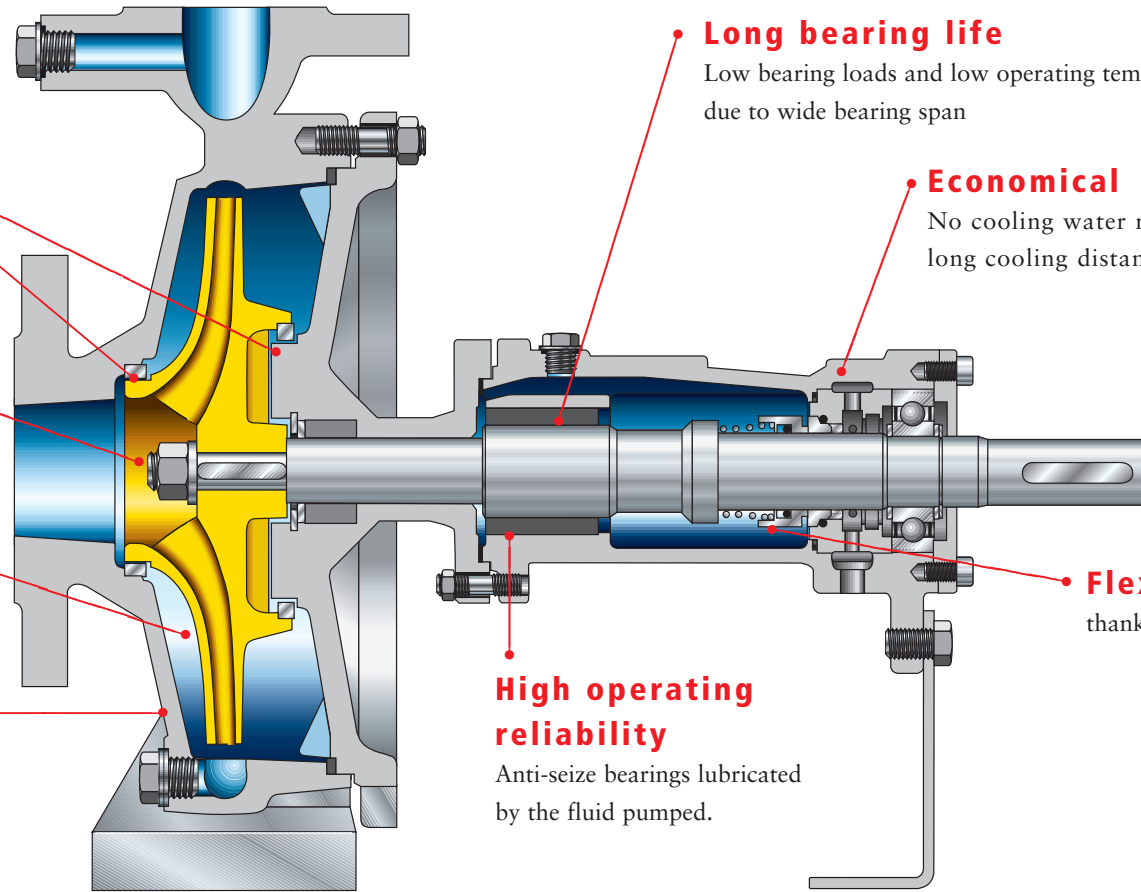
Our Etanorm pump has been continually improved since it was first designed. Its excellent efficiency and standard connection dimensions make it the ideal choice for industrial applications. Using the base design concept we have now developed the new SYA and RSY models to handle mineral oil based and synthetic based heat transfer liquids in heat transfer systems (DIN 4754) and hot water recirculation (DIN 4752).

The new models deliver high reliability and lower operating costs. They can operate up to 350 °C without any external cooling system in heat transfer applications. Also, the optimised hydraulic system reduces energy consumption – another advantage for our customers and the environment. The pumps now available in nominal diameters up to DN 300 exceed the requirements of EN 733. Space-saving, compact models like Etabloc SY (close-coupled) and Etaline SY (in-line) complete KSB's product range enabling us to meet the requirements of any heat transfer application.



# Etanorm SYA

Thermal oil / Hot water pumps



### Easy to service

Wear rings are easily replaced – no wear on casing or impeller.

### Excellent efficiencies

thanks to the impeller with optimised hydraulic system.

### Reliable operation.

up to 16 bar due to the pressure boundary made of ductile nodular cast iron.

### Maintenance-friendly

back pull-out design. Pump casing remains in position during dismantling.

### Long bearing life

Low bearing loads and low operating temperatures, due to wide bearing span

### Economical

No cooling water required due to long cooling distances and cooling ribs.

### Flexibility

thanks to standardised mechanical seal.

### High operating reliability

Anti-seize bearings lubricated by the fluid pumped.

Automation Options:	
✓	PumpExpert
✓	Hya-Drive®
✓	Hyamaster® SPS
✓	Hyatronic®
	Hyamat®

#### Fields of application:

- Heat transfer systems (DIN 4754, VDI 3033)
- Hot water recirculation (DIN 4752, TRD 108/110)

#### Materials:

Volute casing:	Nodular cast iron JS1025 <sup>2)</sup>
Discharge cover:	Nodular cast iron JS1025 <sup>2)</sup>
Shaft:	Chrome steel 1.4021.05 HRC 55/1.4057
Impeller:	Grey cast iron JL1040 <sup>3)</sup>
Wear rings:	Grey cast iron GG
Bearing bracket:	Nodular cast iron JS1025 <sup>2)</sup>

<sup>2)</sup> to EN 1563: GJS-400-18-LT

<sup>3)</sup> to EN 1561: GJL-250

#### Technical data:

	Etaline/Etabloc SY		Etanorm SYA/RSY	
	Thermal oil	Hot water	Thermal oil	Hot water
Max. flow rate:	280	280	1900	1900 m <sup>3</sup> /h
Max. pump head:	67	67	102	102 m
Fluid temperature:	-30 to +350	up to +180	-30 to +350	up to +180 °C
Max. pressure:	16	16	16	16 bar

Data for 50 Hz model