

SETTING THE STANDARD!





Secochem

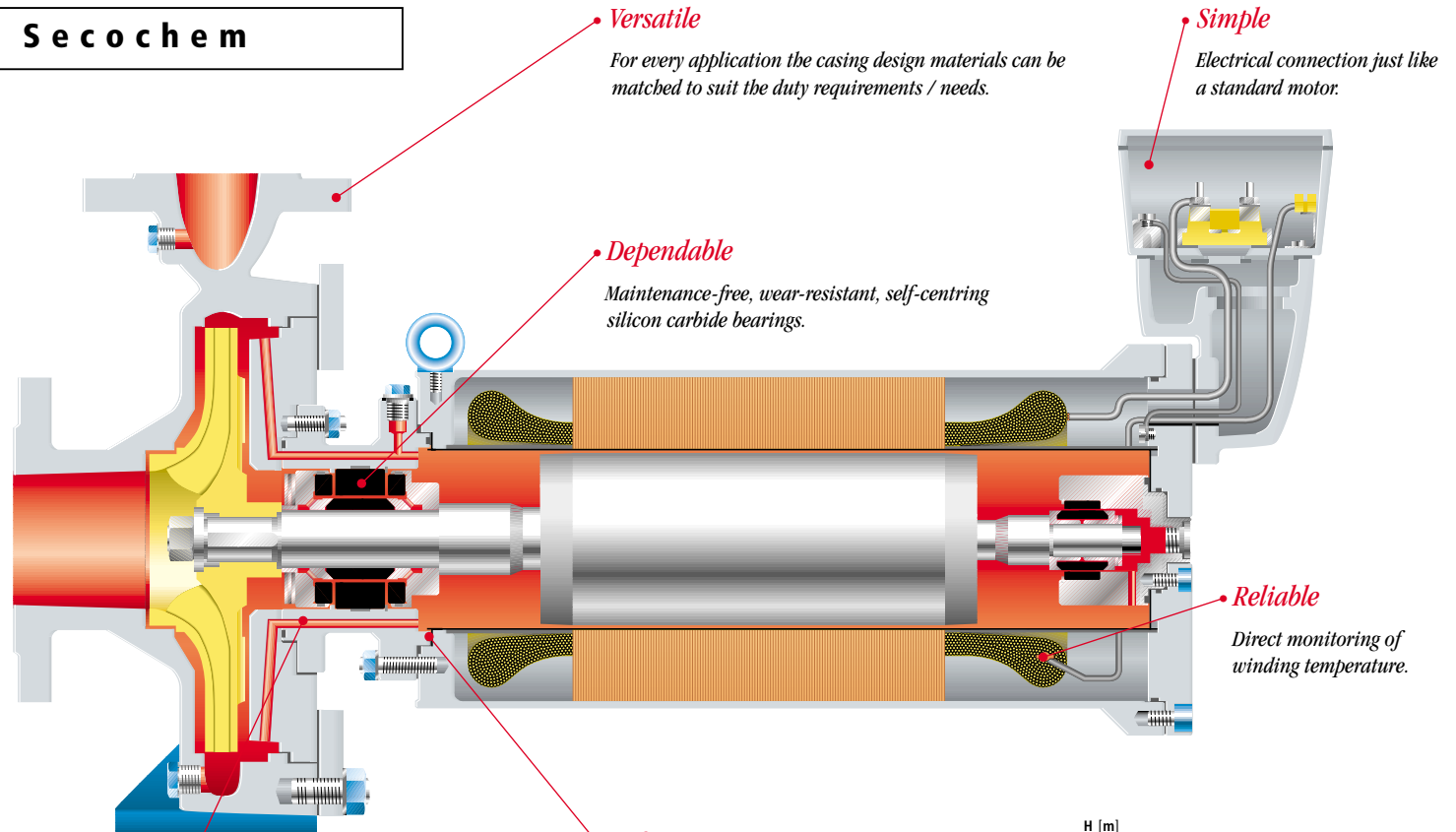


Do you want a product that is absolutely leak-free, has minimal noise emission, and is easy to install?

Do you want long service life and high reliability?

Then the Secochem is your pump. Secochem – the canned motor pump with the highest technical integrity combined with the lowest life-cycle costs.

The standard is set.



Versatile
For every application the casing design materials can be matched to suit the duty requirements / needs.

Simple
Electrical connection just like a standard motor.

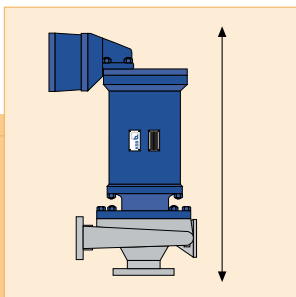
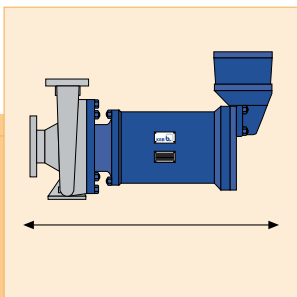
Dependable
Maintenance-free, wear-resistant, self-centring silicon carbide bearings.

Reliable
Direct monitoring of winding temperature.

Safe
no rotating seals to leak.

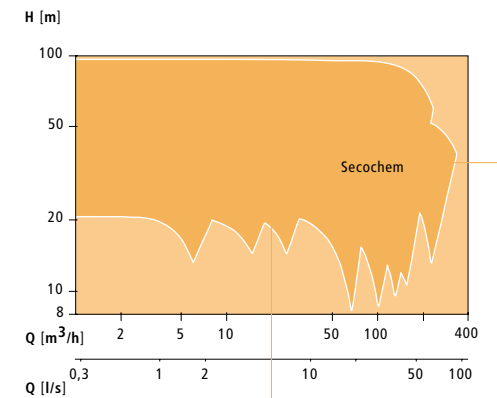
No problems
Completely self-draining and venting, no additional equipment required (bearing lubricated by pumped medium).

Installation to suit
Can be installed horizontally or vertically.



Secochem Data

Flow rate	up to 230 m ³ /h
Head	up to 100 m
Temperature range	-40 °C. up to +140 °C
Nominal pressure	PN 25
Materials	1.4408 (316 sst) EN-JS 1025 (Nodular cast iron) GP 240GH (Steel) Noridur® 1.4593 (Duplex stainless steel)



Secochem