

KEEP COOL, EVEN WHEN IT GETS HOT!





HPK - L



Keep cool, even when it gets hot.

It's easy with our HPK. It reliably pumps hot water and heat transfer fluids. As you expect from a quality company, the HPK complies with the strict quality requirements of TRD (Technical Rules for Boilers).

The HPK-L gives a new technical solution for pumping hot water. Its air-cooled bearing and heat barrier allow the operation of the pump without additional external cooling.

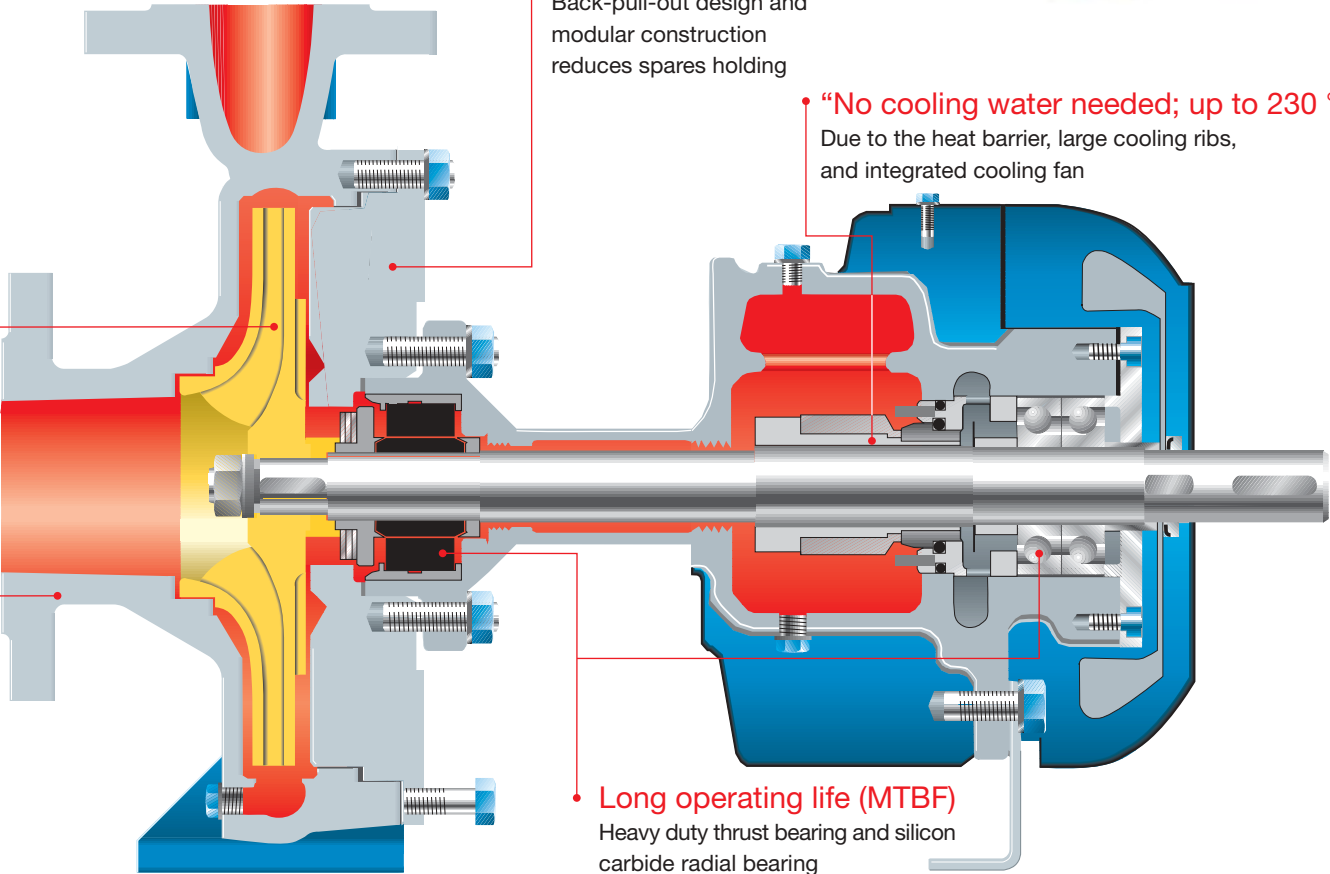
Low operating costs
High efficiency combined with long operating life

Easy to service
Back-pull-out design and modular construction reduces spares holding

"No cooling water needed; up to 230 °C"
Due to the heat barrier, large cooling ribs, and integrated cooling fan

Reliable
Uses the same well proven hydraulics from the CPK; over 200,000 units manufactured to date

Long operating life (MTBF)
Heavy duty thrust bearing and silicon carbide radial bearing



Conversion from HPK to HPK-L

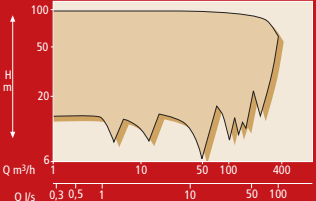


Operating limits HPK-L:

Flow	Q	up to 460 m ³ /h
Head	H	up to 95 m
Temperature	t	up to 230 °C
Discharge pressure	P	up to PN 40

Materials:

EN JS 1025	(Nodular cast iron)
GP 240 GH+N	(Carbon steel)
1.7706	(High tensile steel)





HPK



Cool bleiben, auch wenn's heiß her geht.

Für unsere HPK leichtes Spiel. Sie fördert Heißwasser und

Wärmeträger zuverlässig und erfüllt strenge Qualitäts-

anforderungen nach TRD.

Mit der HPK-L bieten wir Ihnen eine neue technische Lösung

zur Förderung von Heißwasser. Ihre luftgekühlte Lagerung und

die Wärmesperre ermöglichen es, die Pumpe ohne zusätzliche

externe Kühlung zu betreiben.

Niedrige Betriebskosten

Hohe Wirkungsgrade kombiniert mit langen Standzeiten

Flexible

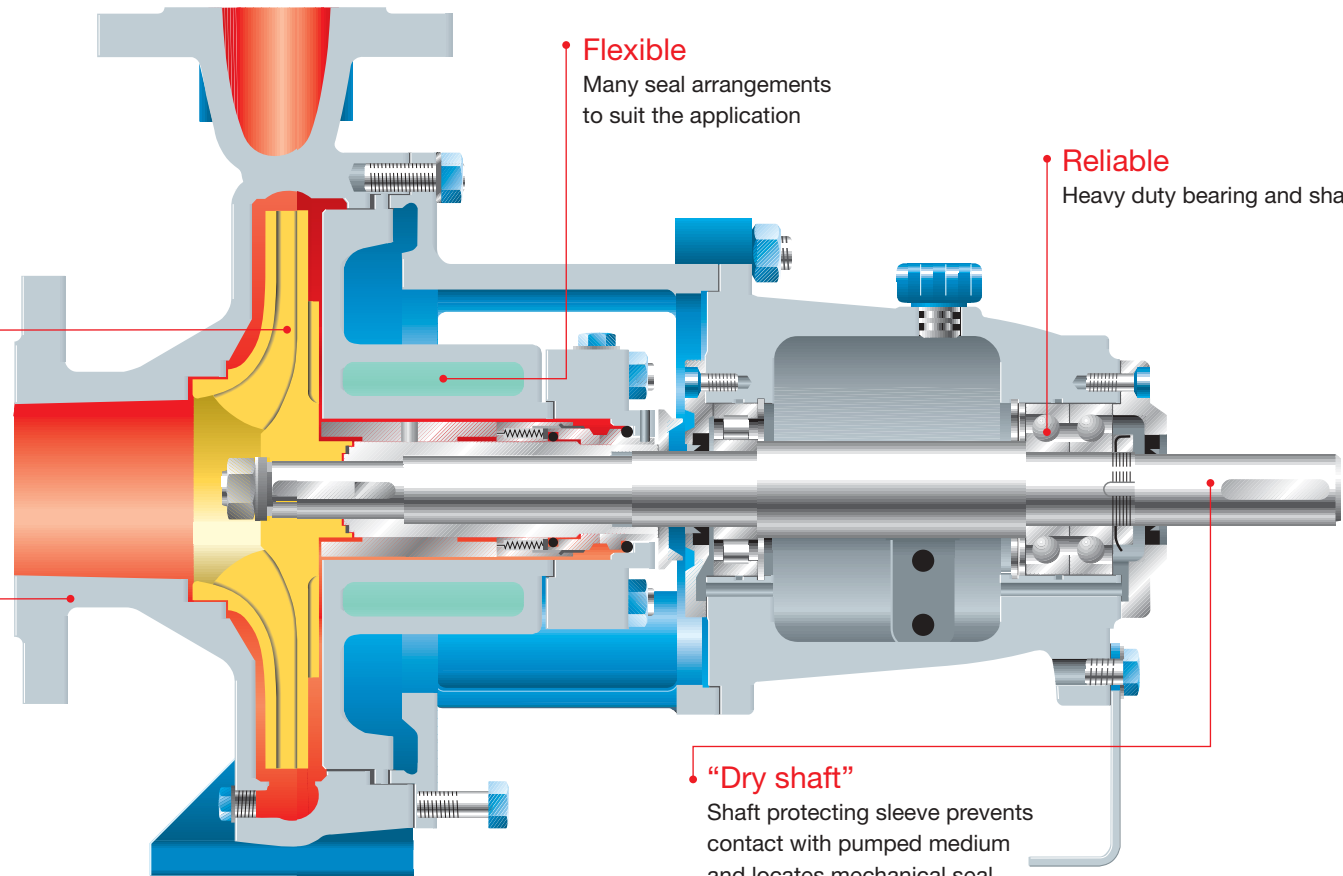
Many seal arrangements to suit the application

Reliable

Heavy duty bearing and shaft

Zuverlässig

Bewährte CPK-Hydraulik in über 200.000 Fällen



“Dry shaft”

Shaft protecting sleeve prevents contact with pumped medium and locates mechanical seal

Der Umbau von HPK zu HPK-L

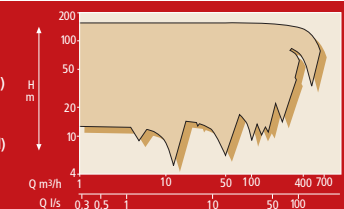


Operating limits HPK

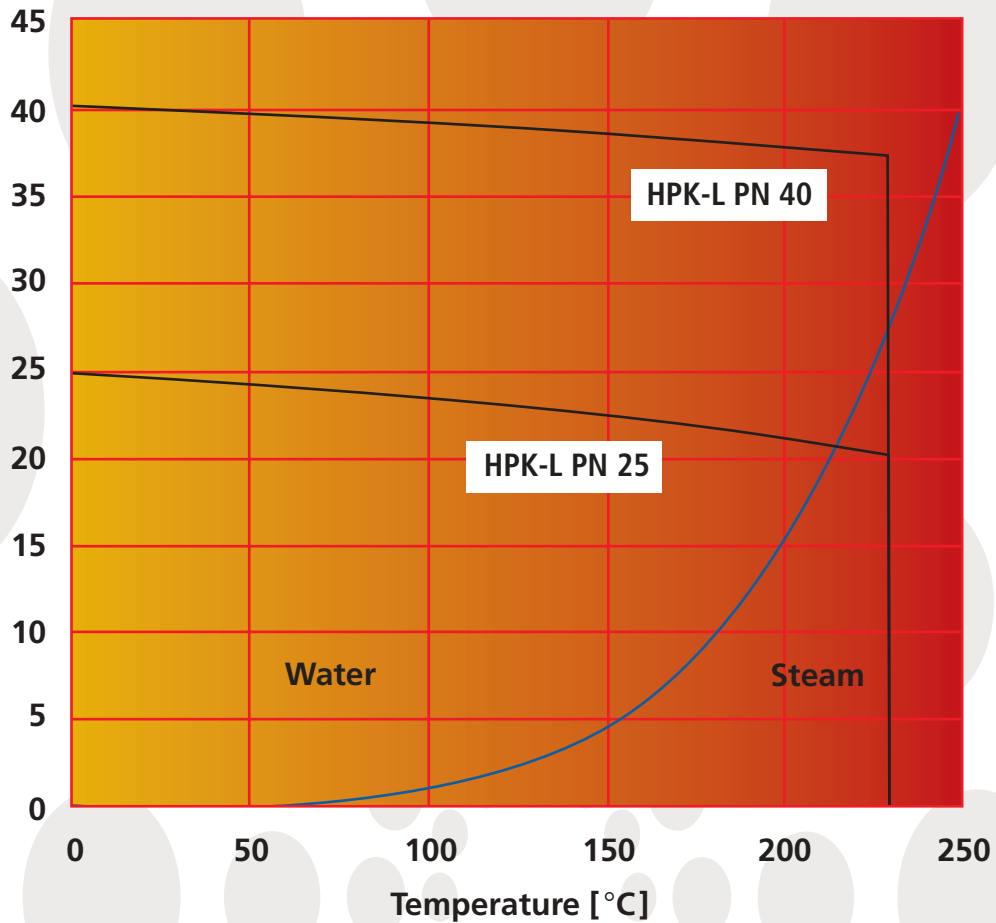
Flow	Q	up to 3500 m ³ /h
Head	H	up to 190 m
Temperature range	t	up to 400 °C
Discharge pressure	P	up to PN 40

Materials:

EN JS 1025	(Nodular cast iron)
GP 240 GH+N	(Carbon steel)
1.7706	(High tensile steel)



Discharge pressure [bar]



Air cooled

for hot water up to 230 °C no cooling water required.



Low operating costs

no cooling water or auxiliary piping needed.



Environmentally friendly

no treatment and disposal of cooling water.