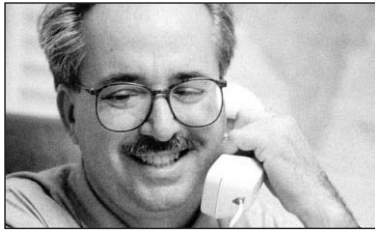


Submersible motor pump for waste water applications



AMAREX KRT – THE SAFE SOLUTION FOR ALL KINDS OF WASTE WATER

Amarex KRT is the safe, reliable and energy-efficient solution for all pumping jobs in municipal and industrial waste water engineering.

In developing the KRT, KSB engineers aimed at maximum versatility / flexibility of application by offering the pump in a multitude of materials. A variety of specially adapted hydraulic systems with high operational reliability thanks to wide free passages make for optimum economic transport of widely-varying fluids.

Explosion-proof versions are available for potentially explosive environments.

Protection against excessive temperature rise in the motor winding, absolutely water-tight cable entries and bearings dimensioned to give long service lives are features enabling long, trouble-free pump operation.

For further information please refer to: www.ksb.com/productcatalogue



Amarex KRT

Submersible motor pump for waste water applications

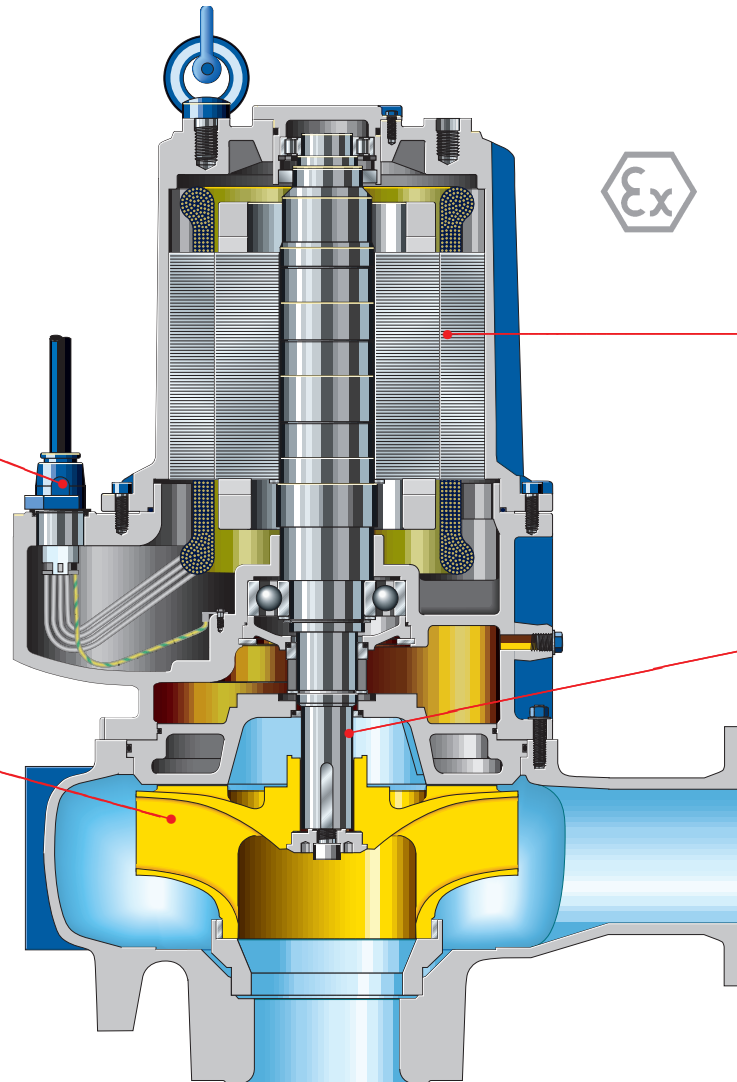


Absolutely water-tight

Even in the event of cable damage, no fluid can penetrate into the motor.

Variable hydraulic system

The right impeller with optimum efficiency for every fluid. High operating reliability due to wide free passages.

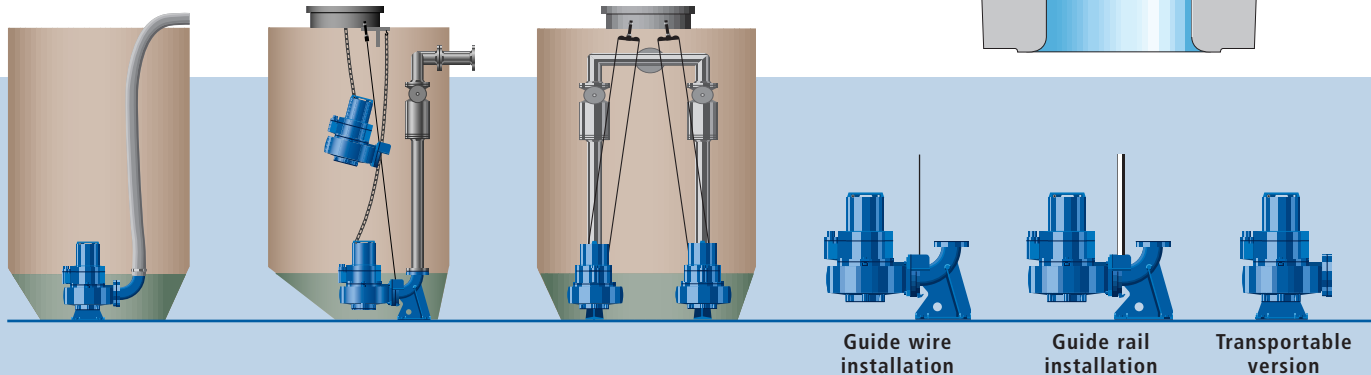


Reliability

Motors specially developed for submersible motor pumps offer maximum operating safety.

Long service life

2 bi-rotational mechanical seals



Technical data:

Main applications:	Municipal and industrial waste waters
Pump sizes:	40 to 700
Max. capacity:	2800 l/s
Max. discharge head:	100 m
Max. discharge pressure:	10 bar
Max. temperature:	+60°C

Further information: www.ksb.com/productcatalogue